

CROSSTRAIL DISC 11



STANDARD INTERNATIONAL



CENTER LOCK

Use: use only on a Cross-country or Cross-mountain MTB fitted with disc brakes. Any other use (such as on a tandem, road bike, cyclo-cross bike, free-ride or downhill bike...) is highly inadvisable, is the sole responsibility of the user and voids the Mavic warranty.
Recommended maximum weight of the cyclist and equipment: 100 kg.

WHEEL WEIGHT WITHOUT QUICK-RELEASE SKEWER AND WITHOUT ADAPTER

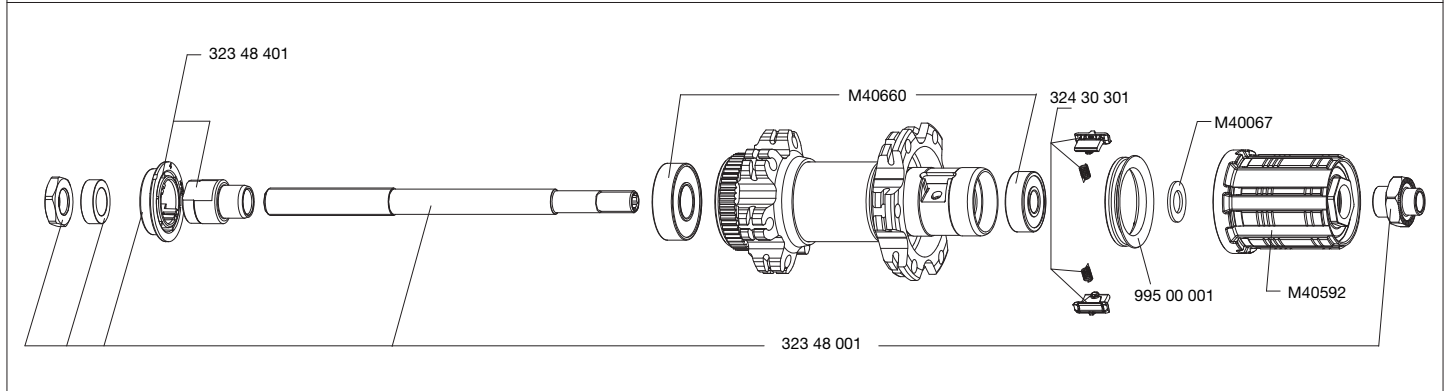
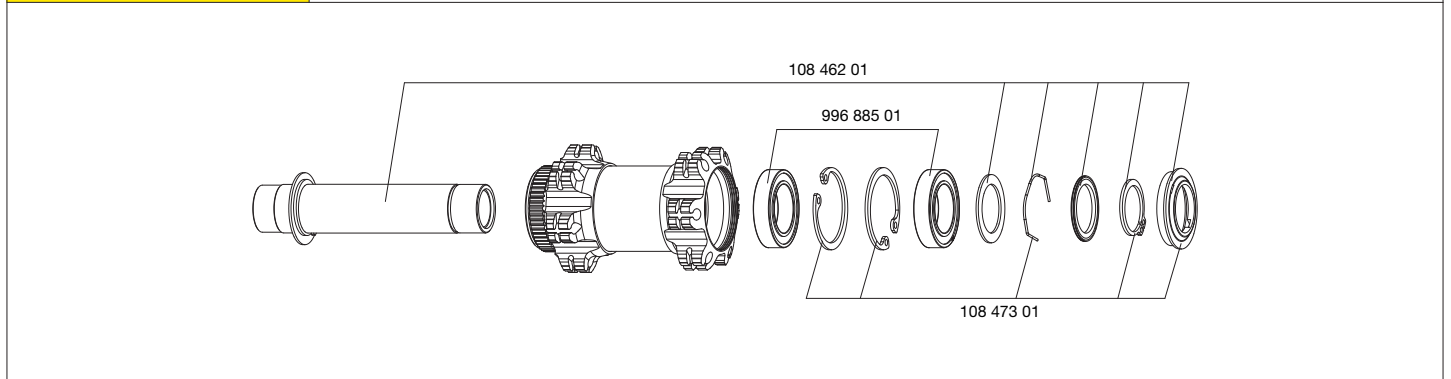
Front: 750 g
Rear: 925 g

WHEEL REFERENCE

Front: 112 005 10
Rear: 112 006 10
Pair: 112 007 14

RIMS	SALES REFERENCES: Front and rear: 126 330 15
	<p>Ø VALVE HOLE Ø: 6.5 mm Length: ≥ 32 mm</p>
	<p>RECOMMENDED TIRE WIDTH Dimensions: Ø 26" only ETRTO 559 x 19C compatible and Tubeless UST. Recommended tire width: 1.5" to 2.3"</p>
<p>When replacing the rim:</p> <ol style="list-style-type: none"> 1. With the valve hole near you, the two raised indicator bumps must be to the right of the valve hole. 2. The spoke in the first hole to the right of the valve hole is a non-braking spoke and should be introduced into the disc side. <p>When replacing the rear rim:</p> <ol style="list-style-type: none"> 1. With the valve hole near you, the two raised indicator bumps must be to the right of the valve hole. 2. The spoke in the first hole to the right of the valve hole is introduced in the drive side. 	

HUBS	MAINTENANCE: Clean with a dry cloth or soapy water if necessary. Do not use a high-pressure washer.
-------------	--



WHEEL BUILDING	REFERENCES AND LENGTHS:	Front: 120 341 01, length 267.5 mm (per 12 with integrated nipples) Rear drive side: 120 342 01, length 265 mm (per 12 with integrated nipples) Rear non-drive side: 120 343 01, length 267.5 mm (per 12 with integrated nipples)
-----------------------	--------------------------------	---

FEATURES: Black steel straight pull spokes with self-locking and integrated M7 spoke nipples	LACING PATTERN: Front: 2-cross lacing on both sides	TENSION: Front disc side: 90 to 110 kg Rear drive side: 110 to 130 kg
--	---	--

ACCESSORIES	WHEELS SUPPLIED WITH:	MAINTENANCE
<ul style="list-style-type: none"> • Front quick-release skewer M40350 • Rear quick-release skewer M40352 • Removable UST valve 995 282 01 • Spoke wrench • 2 disc adapters for conversion from Center Lock to International Standard • Wheel user guide 		Replacing the front axle and bearings Replacing the rear axle Maintaining and replacing the free wheel mechanism Replacing the rear bearings Replacing a spoke Replacing the front rim Replacing the rear rim See 2010 TM, pages 21 and 22 See 2004 TM, page 20 See 2007 TM, page 21 See 2004 TM, page 22 See 2011 TM, page 30 See 2004 TM, page 28 See 2004 TM, page 29
Refer to the website for quick and convenient access to information: www.tech-mavic.com		