

# DEEMAX ULTIMATE



USE: use only on a Cross Country or Cross Mountain MTB fitted with disc or rim brakes. Any other use (such as on a tandem, road bike, cyclo-cross bike, ...) is highly inadvisable, is the sole responsibility of the user and voids the Mavic warranty.

Recommended maximum weight of the cyclist and his equipment: 115 kg.

## WHEEL WEIGHTS WITHOUT QUICK-RELEASE SKEWER

Front: 910 g  
Rear: 1055 g

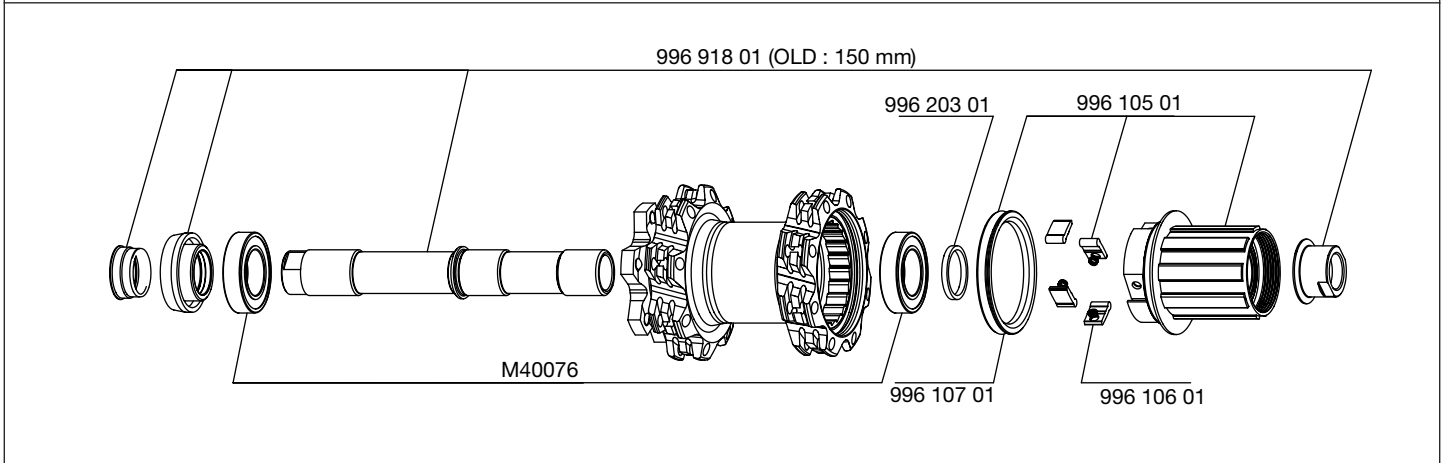
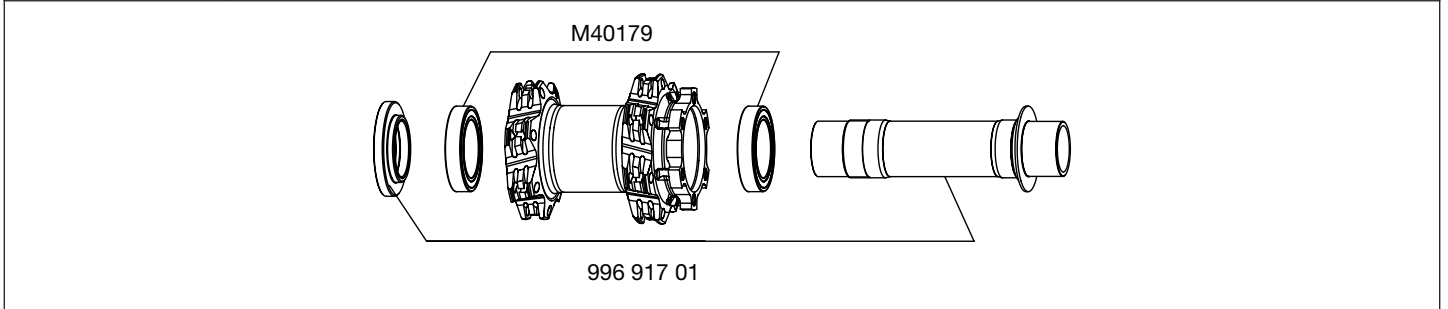
## WHEEL REFERENCES

Front: 996 562 10  
Rear: 996 563 13

<b>RIMS</b>	REFERENCES: Front: 996 919 10 Rear: 996 919 13
-------------	---

	<b>Ø VALVE HOLE</b> Ø: 6.5 mm Length.: ≥ 32 mm	<b>RECOMMENDED TIRE WIDTH</b> Dimensions: Ø 26" ETRTO 559 x 21C compatible and Tubeless UST Recommended tire width: 2.3" to 3.0"
	When replacing the front rim: 1. With the valve hole near you, the raised indicator bump must be to the left of the valve hole 2. The spoke in the first hole to the right of the valve hole is a non-braking spoke and should be inserted in the disc side of the hub  When replacing the rear rim: 1. With the valve hole near you, the two raised indicator bumps must be to the right of the valve hole 2. The spoke in the first hole to the right of the valve hole is a non-driving spoke and should be inserted in the drive side of the hub	

<b>HUBS</b>	MAINTENANCE: Clean with a dry cloth or soap and water if necessary. Do not use a high-pressure washer.
-------------	---



<b>WHEELBUILDING</b>	REFERENCES AND LENGTHS:	Front: 996 920 01, length 271 mm, (per 14, integrated nipples) Rear drive side: 996 921 01, length 266 mm, (per 14, integrated nipples) Rear non-drive side: 996 922 01, length 268 mm, (per 14, integrated nipples)
----------------------	-------------------------	--

<b>FEATURES:</b> Black stainless steel flat straight pull spokes with integrated, self-locking M7 aluminum spoke nipples.	<b>LACING PATTERN:</b> Front and rear: crossed 3 on both sides	<b>TENSION:</b> Front disc side: 100 to 120 kg Rear drive side: 110 to 130 kg
--	---	---

<b>ACCESSORIES</b>	WHEELS SUPPLIED WITH:	<b>MAINTENANCE</b>
--------------------	-----------------------	--------------------

- UST valves 995 282 01
- Spoke wrench M40494 (with rear wheel)
- Free play bearing adjustment wrench M40123 (with rear wheel)
- User guide

- Replacing the front axle and bearings
  - Rear wheel assembly diameter conversion
  - Maintaining and replacing the free wheel mechanism
  - Replacing the rear axle and bearings
  - Replacing a spoke
  - Replacing the front rim
  - Replacing the rear rim
- To consult this information quickly in a practical manner, refer to [www.tech-mavic.com](http://www.tech-mavic.com)

See 2008 TM, page 24  
 See 2009 TM, page 25  
 See 2009 TM, page 29  
 See 2009 TM, page 30  
 See 2009 TM, page 41  
 See 2009 TM, pages 42/43  
 See 2009 TM, pages 44/45