

SPEEDCITY™ Disc fixing: "International Standard"

Warning: new hub

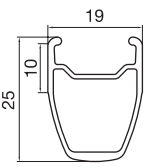



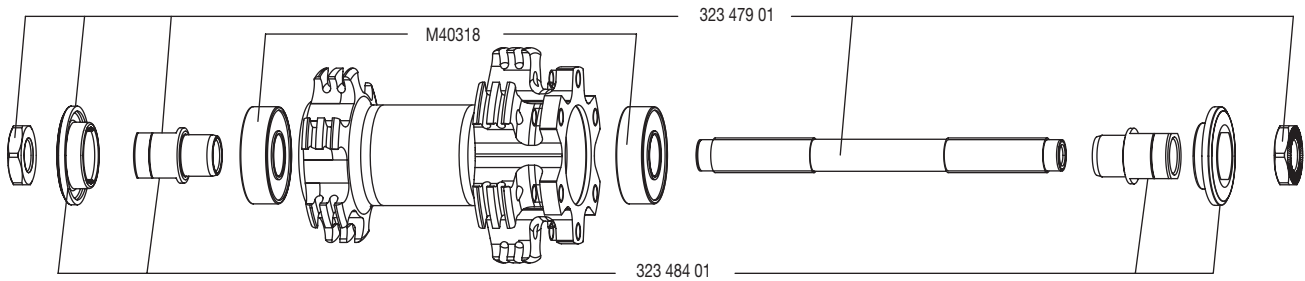
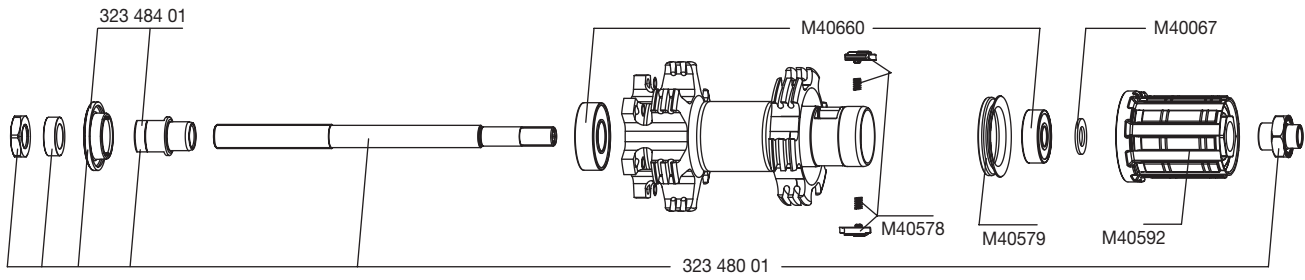
USE: Use only on the road, on a MTB, city or road bike (135 mm rear axle width) fitted with disc brakes or rim brakes. Any other use (such as on a tandem, Cyclo-Cross bike, mountain bike...) is strongly inadvisable, is the sole responsibility of the user and voids the Mavic warranty.

WHEEL WEIGHTS WITHOUT QUICK RELEASE SKEWER:

Front: 865 g
Rear: 1095 g

REFERENCES:

Front: 323 688 10
Rear: 323 689 13
Pair: 323 763 14

RIMS	SALES REFERENCES: Front and rear: M40706 (supplied with eyelets to be screwed)	
WIDTH 	VALVE HOLE Ø Ø: 6,5 mm Length: ≥ 32 mm 	RECOMMENDED TIRE WIDTH AND PRESSURE Dimensions: Ø 700 only ETRTO 622 x 13 compatible Recommended tire width: 19 to 32 (35 with disc brakes)  Recommended tire pressure: See page 16 
HUBS	MAINTENANCE: Clean with dry cloth or soap and water. Do not use pressurized water. Warning: The parts of the FTS-L free wheels (pawl assembly, springs, free wheel body) are not compatible with those on the FTS free wheels.	
		
		
WHEEL BUILDING	REFERENCES AND LENGTHS: Front and rear: 323 453 01, length 300 (per 14 with nipples).	
FEATURES: Black, round, stainless steel, straight pull spokes with ABS nipples (self-locking).	LACING PATTERN: Front and rear: crossed 2 on both sides	TENSION: Front: 105 to 145 kg Rear free wheel side: 105 to 145 kg
ACCESSORIES	WHEEL DELIVERED WITH:	MAINTENANCE
<ul style="list-style-type: none"> • Front quick release skewer M40350 • Rear quick release skewer M40352 • User guide and warranty card 		<p>Hubs: For all maintenance procedures (replacement of an axle, bearings, free wheel body), refer to the 2004 technical manual (section concerning the Crossland).</p> <p>Lacing: For all procedures (replacement of a spoke or rim), refer to the 2003 technical manual.</p> <p>You can also consult our website www.tech-mavic.com.</p>

WHEELS

SPEEDCITY™ Disc fixing: "Center Lock"

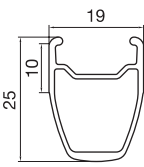



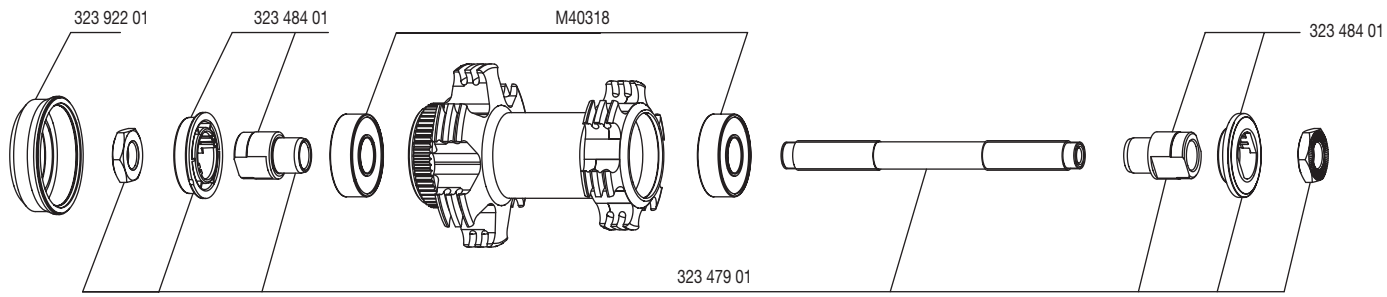
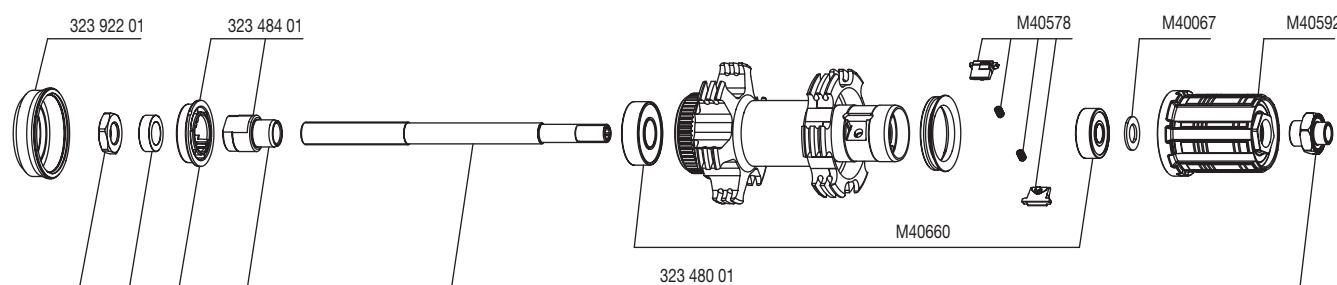
USE: Use only on the road, on a MTB, city or road bike (135 mm rear axle width) fitted with disc brakes or rim brakes. Any other use (such as on a tandem, Cyclo-Cross bike, mountain bike...) is strongly inadvisable, is the sole responsibility of the user and voids the Mavic warranty.

WHEEL WEIGHTS WITHOUT QUICK RELEASE SKEWER:

Front: 865 g
Rear: 1095 g

REFERENCES:

Front: 323 650 10
Rear: 323 651 13
Pair: 323 745 14

RIMS	SALES REFERENCES: Front and rear: M40706 (supplied with eyelets to be screwed)	
WIDTH 	VALVE HOLE Ø Ø: 6,5 mm Length: ≥ 32 mm 	RECOMMENDED TIRE WIDTH AND PRESSURE Dimensions: Ø 700 only ETRTO 622 x 13 compatible Recommended tire width: 19 to 32 (35 with disc brakes)  Recommended tire pressure: See page 16 
HUBS	MAINTENANCE: Clean with dry cloth or soap and water. Do not use pressurized water. Warning: The parts of the FTS-L free wheels (pawl assembly, springs, free wheel body) are not compatible with those on the FTS free wheels.	
		
		
WHEEL BUILDING	REFERENCES AND LENGTHS: Front and rear: 323 453 01, length 300 (per 14 with nipples).	
FEATURES: Black, round, stainless steel, straight pull spokes with ABS nipples (self-locking).	LACING PATTERN: Front and rear: crossed 2 on both sides.	TENSION: Front: 105 to 145 kg Rear free wheel side: 105 to 145 kg
ACCESSORIES	WHEEL DELIVERED WITH:	MAINTENANCE
<ul style="list-style-type: none"> • Front quick release skewer M40350 • Rear quick release skewer M40352 • Disc fixing protection hood 323 922 01 • User guide and warranty card <p>Discs and disc locking rings not supplied.</p>		<p>Hubs: For all maintenance procedures (replacement of an axle, bearings, free wheel body), refer to the 2004 technical manual (section concerning the Crossland).</p> <p>Lacing: For all procedures (replacement of a spoke or rim), refer to the 2003 technical manual.</p> <p>You can also consult our website www.tech-mavic.com.</p> <p>For all specifications concerning the assembly of the disc on the hub, refer to the technical documents supplied by Shimano®.</p>