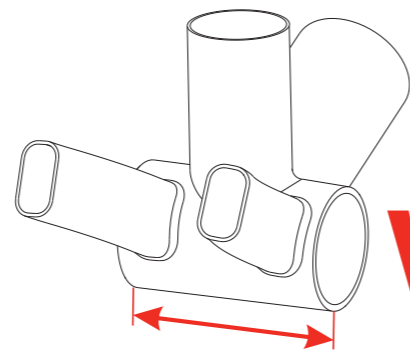
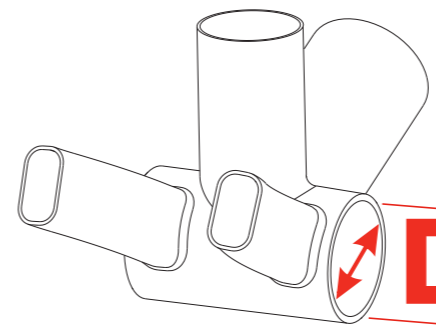


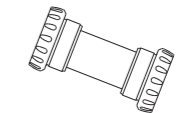
ROTOR UB SYSTEM



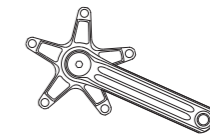
W FRAME DIMENSION SHELL WIDTH



D FRAME DIMENSION INNER DIAMETER



ROTOR
BOTTOM BRACKET
COMPATIBILITY



ROTOR
CRANK
COMPATIBILITY

THREADED BB		NON THREADED BB											
		D = 37 mm BB90		D = 41 mm		D = 42 mm		D = 46 mm					
W = 68 mm 73 mm BSA		W = 89,5 mm BB89		W = 92 mm BB92		W = 68 mm BB30 68 mm		W = 73 mm BB30 73 mm		W = 68 mm Pressfit 30 68 mm		W = 73 mm Pressfit 30 73 mm	
24 mm SPINDLE	BB1 BSA SABB BSA REX3 (All Shimano compatible)	Press Fit 4124 REX3 (All Shimano compatible)		BB4224 (30 to 24) MTB REX3 (All Shimano compatible)		Press Fit 4624 MTB REX3 (All Shimano compatible)		24 mm SPINDLE					
	BSA30 REX1 REX2	Press Fit 4130 REX1 REX2		BB30 BEARING KIT REX1 REX2		Press Fit 4630 REX1 REX2		30 mm SPINDLE					